

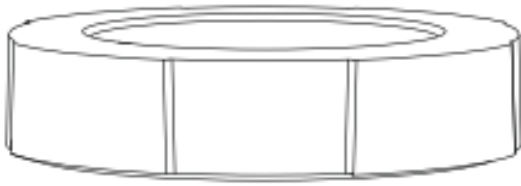


Cafflano Kompact

Instructions for use

Congratulations! You can now enjoy the fresh and tasty coffee with Cafflano Kompact.

Product Design and Characteristics



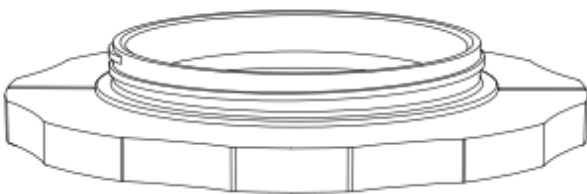
Airlock (Material: polypropylene)

Airlock seals off the bellows chamber to prevent brewed coffee from leaking and enhances the portability when the unit is compressed.



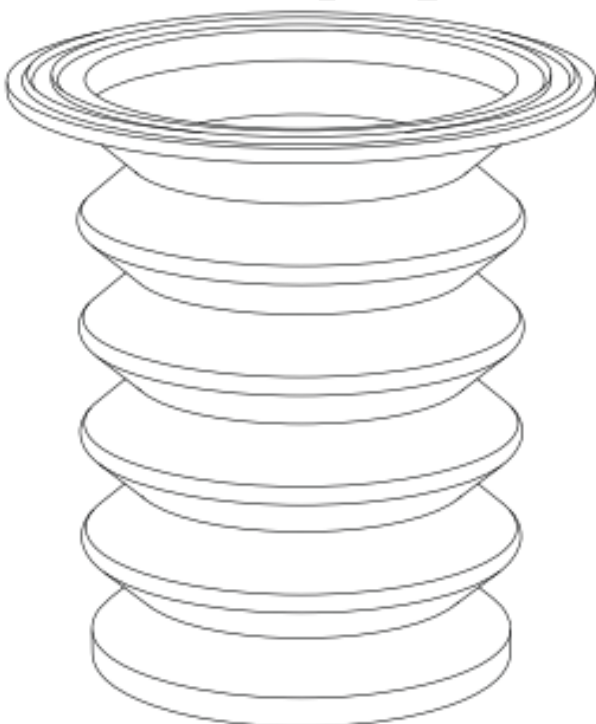
Micro Filter (Material: polypropylene, stainless steel)

Eco-friendly filter made with long-lasting stainless steel. It is convenient and easy-to-use when brewing, storing and cleaning.



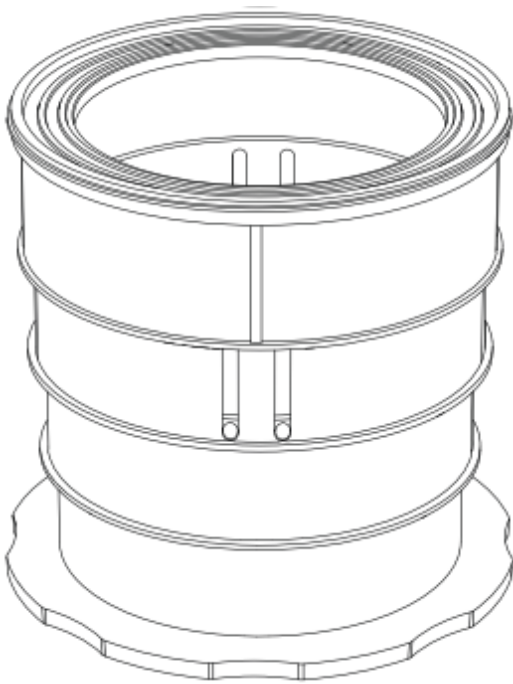
Pulling Plate (Material: polypropylene)

The Pulling Plate guarantees a safe and function way to place the Cafflano Kompact on top of a vessel (cup or tumbler) when extracting coffee by pressing or squeezing.



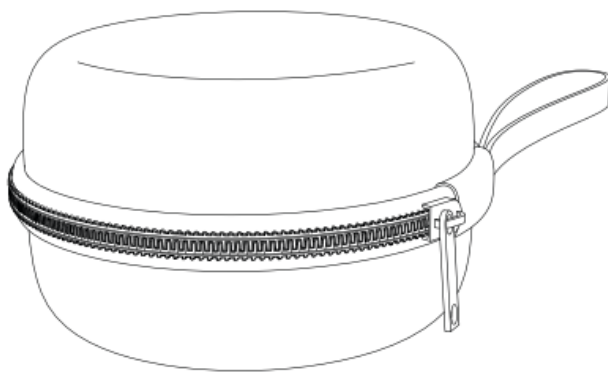
Bellows Chamber (Material: silicon)

Bellows Chamber works as a compressor in which ground beans and water are mixed and infused after appropriate infusing time, brewed coffee can be easily extracted by pressing Bellows Chamber. Bellows enable a maximum transmission of power while pressing with minimal force. This creates an enhanced, easy extraction. The unit can be compressed by pressing down and sealing the Airlock, making it easy to transport.



Press Guide (Material: polypropylene, PC)

The Press Guide supports the Bellows Chamber and prevents it from moving or swaying so that the user is protected from potential danger of heat and other circumstances that may occur during extraction.



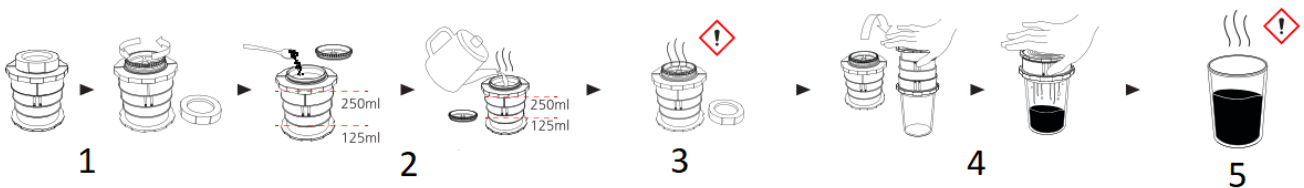
Pouch (Material: nylon, Ethylene-vinyl acetate: EVA)

The Pouch is designed for storing and traveling with your Cafflano Kompact. The special fabric protects from external shock/damages and UV rays.

Please visit Cafflano homepage, www.cafflano.com for detail product information and demo clips.

Brewing Coffee

Caution!: DO NOT seal Airlock after putting in hot water. Bellows Chamber may expand and result in a disconnected Press Guide.



1. Unscrew Airlock and remove. Unscrew Micro Filter and remove.
2. Put ground beans (10-30g as per own tastes) and add hot water.
3. Close Micro Filter and infuse (1-3min as per own tastes).
4. Put it on a cup or tumbler and slowly press it one time. (Pressing multiple times may result in increased silt.)
5. Enjoy freshly brewed coffee!

* Be cautious to add the adequate amount of water (especially hot water) as brewed coffee may overflow due to coffee bloom.

* Brewing time may differ depending on types of roasted beans, customers' taste and various circumstances.

* Gently agitating with Micro Filter covered, or by stirring with a spoon or other utensil may help reduce brewing time.

* Be cautious as brewed coffee may spill while flipping over Cafflano Kompact for extraction.

Cold Brew



1. Unscrew airlock and remove. Unscrew Micro Filter and remove.
2. Put ground beans (10-30g as per individual tastes) and add room-temperature or cold water.
3. Close Micro Filter, seal Airlock and infuse (4-8 hours as per individual tastes).
4. Put it on a cup or tumbler and slowly press it one time. (Pressing multiple times may result in increased silt.)
5. Enjoy freshly brewed coffee!

* Be cautious to add the adequate amount of water (especially hot water) as brewed coffee may overflow due to coffee bloom.

* Brewing time may differ depending on types of roasted beans, customers' taste and various circumstances.

* Gently agitating with Micro Filter covered, or by stirring with a spoon or other utensil may help reduce brewing time.

* Be cautious as brewed coffee may spill while flipping over Cafflano Kompact for extraction.

Caution!

- Please clean and wash the product before using it for the first time. (Use a soft sponge and neutral detergent, and then thoroughly rinse it)
- Do not expose to direct heat/flames to prevent deformation or discoloration.
- Do not heat, boil or use it for cooking.
- Do not let children use this product. Do not use it next to infants or children and keep it out of their reach.
- Do not use this product for anything other than its original purpose of use. (Do not use foreign substances other than coffee beans)
- If Airlock is not properly sealed, tilting the product to one side may cause content spill.
- Always be cautious when consuming hot water/drinks. Hot liquids can scald user.
- Keeping substances inside for a long period of time may result in discoloration of the product.

Cleaning and Keeping

- Remove coffee grounds and clean the product with running water. Coffee grounds could be used as culture soil or fertilizer.
- Cleaning guide is uploaded on Cafflano homepage. (www.cafflano.com)
- The product can be disassembled and cleaned. Use soft cloth or sponge with neutral detergent.
- Do not clean with steel wool, apply bleach or cleaners containing chlorine on any part of the product.
- Cleaning and keeping it dry immediately after use can prevent odor and discoloration, leading to a longer life of the product.
- Do not place the product in dishwasher, dish drier, any type of oven or microwave.
- In case patches of rust, water spots, odor or discoloration occur; add watered-down vinegar to the product for some time. Take it out and clean with a soft cloth or sponge.
- You can also use baking soda or exclusive detergents for stainless steel products.
- Drink. Wash. Drink. Wash. Drink. Wash. Then, you can use and enjoy as if it was brand new for much longer.

Warranty and how to use the product

Products are covered by the standard statutory warranty period. This warranty is non-transferable and financial compensation in cash is not possible. The warranty does not apply to products that have been used in a manner other than that specified in these instructions for use.

The warranty also does not cover:

- Damage resulting from improper use, neglect of care, or any other use for purposes not listed in this manual.
- Damage to appearance, damage caused by corrosion or gradual wear and tear.

Any intervention or repair by unauthorized persons results in the voiding of the product warranty.

Seller and importer: NajTrade s.r.o., Húskova 31, 04023 Košice, IČO: 50590502.