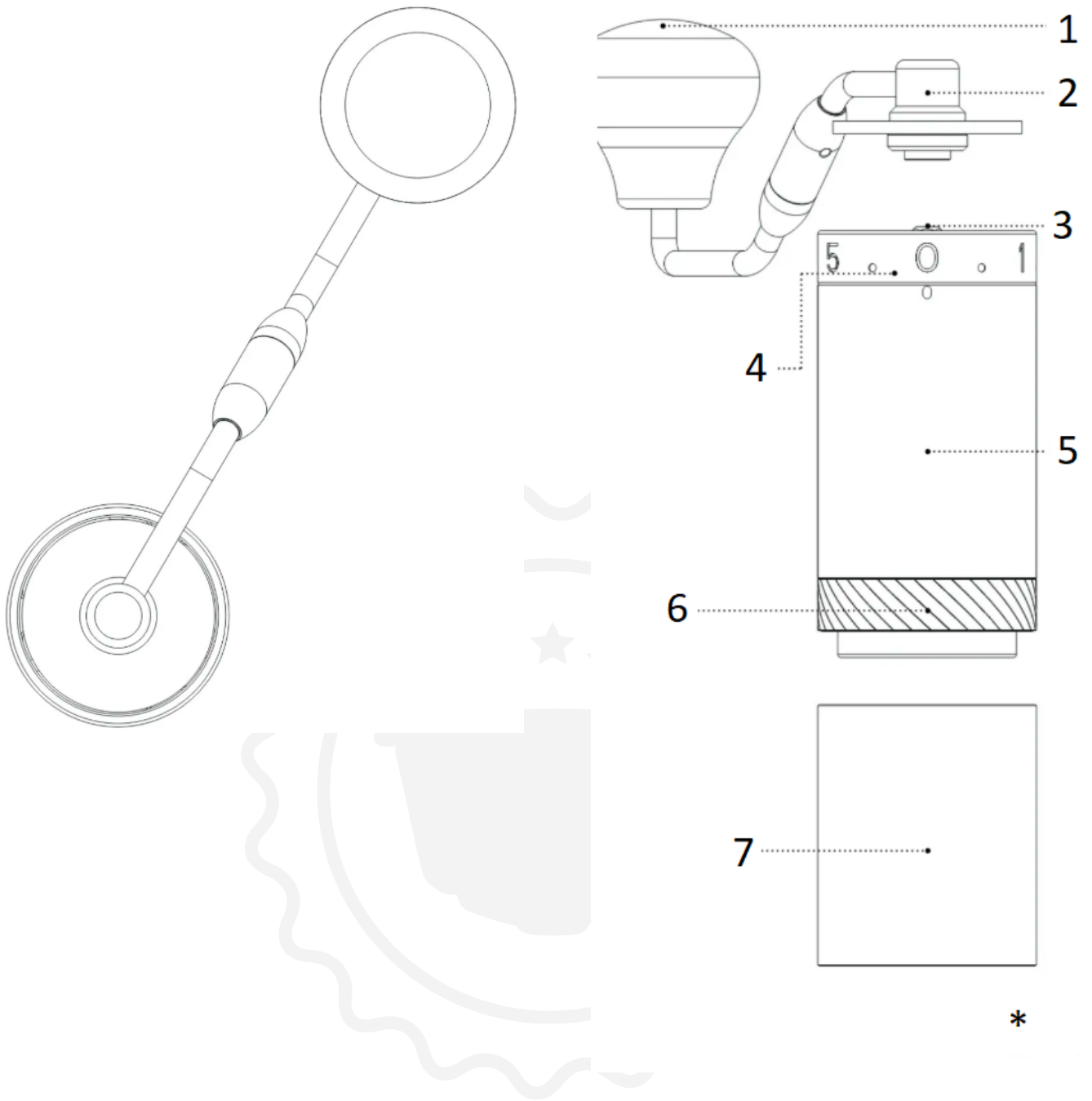




1Zpresso X-Ultra Grinder

Instructions for use



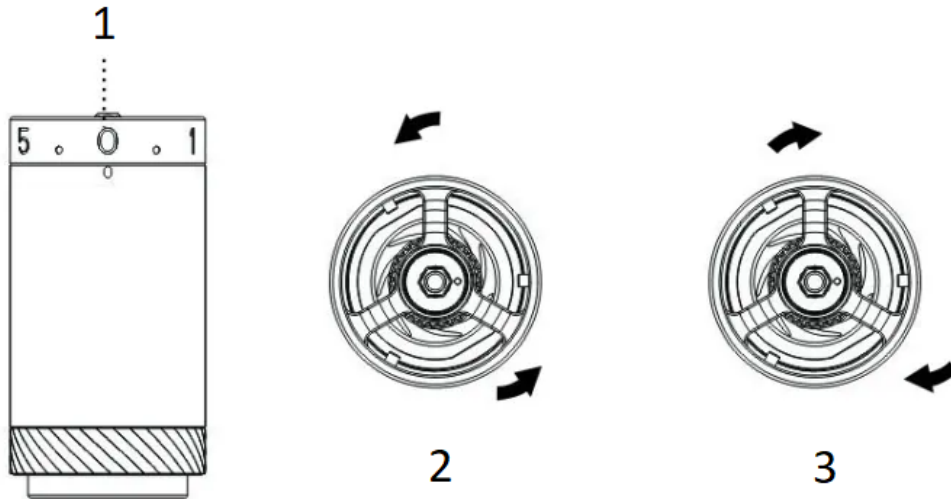
- 1. Crank Knob
- 2. Crank Handle
- 3. Central Shaft
- 4. Adjustment Dial Ring
- 5. Main Body
- 6. Burr
- 7. Receiver

* Capacity 30g

Do not wash or soak this product for cleaning

Reminder: Before the first use, we suggest grinding 5g of beans at an espresso setting 3 times to clean the grinder

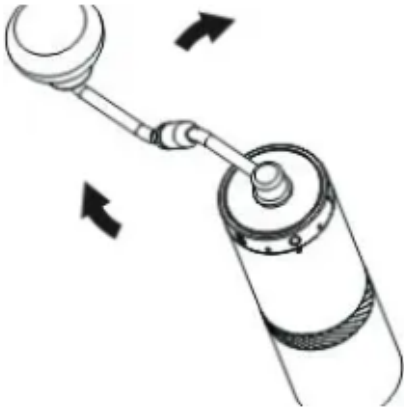
User Instructions



1. Adjustment Dial Ring
2. Turn it counter-clockwise to go finer
3. Turn it clockwise to go coarser

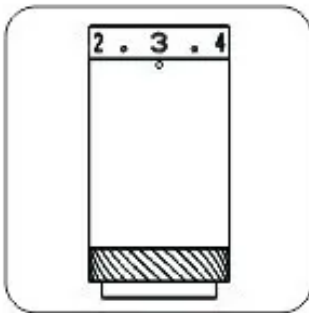
Adjusting the grind setting

1. Turn the adjustment dial ring counter-clockwise to make the grinds finer and vice versa. Zero the grinder by turning the adjustment dial ring counterclockwise all the way to the starting point where the resistance starts and the central shaft can't spin freely. Warning: Do not over-tighten the adjustment dial ring.
2. There are 4 and a half rotations in total, 60 clicks in a single rotation; each click moves the burr by 0.0125mm/12.5 microns.
3. Refer to the grind setting tutorial post for different brewing methods.
4. Put coffee beans in the hopper and turn the handle clockwise to start grinding.
5. Follow the guide to calibrate the grinder after reassembling the grinder.



Disassembly

Warning: Do not loosen the burr ring unit before step 5.



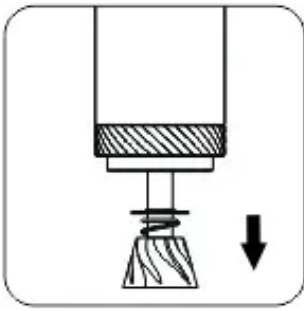
1. Turn the adjustment dial ring clockwise by around two and a half rotations.



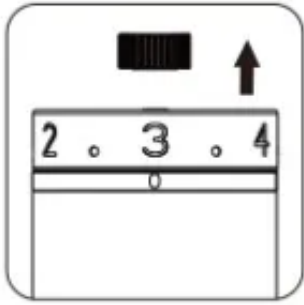
2. Press the inner burr.



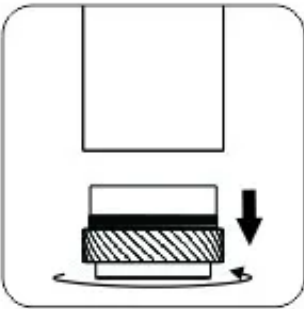
3. Turn the knurled thumb nut by one angle beside the dot.



4. Remove the burr and central shaft, spring and lower bearing cap.

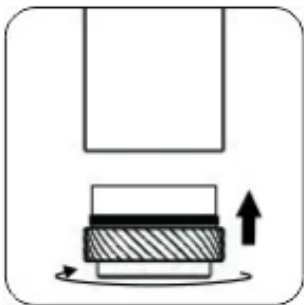


5. Remove the knurled thumb nut.

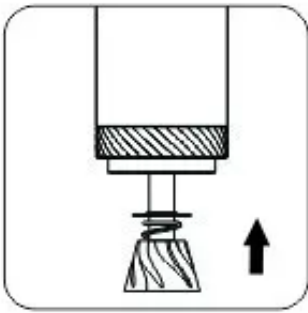


6. Turn the burr ring unit forward (reverse threads).

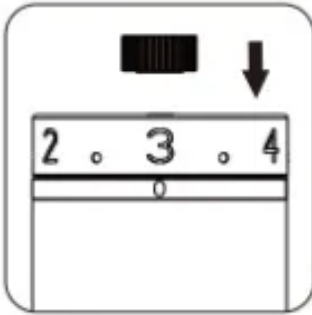
Assembly



1. Turn the burr ring unit backward (reverse threads) to the tightest.



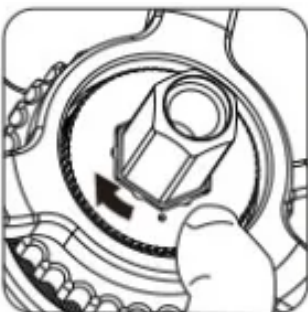
2. Put the components back in the right sequence:
lower bearing cap (the raised edge side facing upward),
spring, the burr and central shaft.



3. Put the knurled thumb nut back
(the side with the dot faces upward).

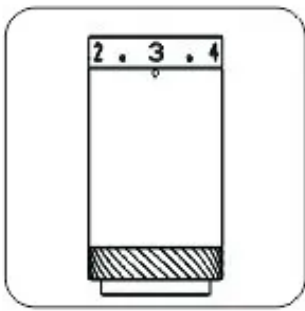


4. Press the inner burr.

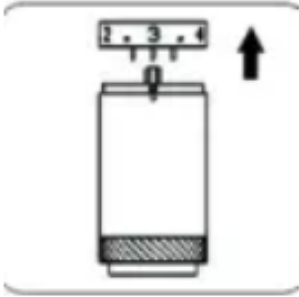


5. Align the dot on the knurled thumb nut with an angle on the shaft.

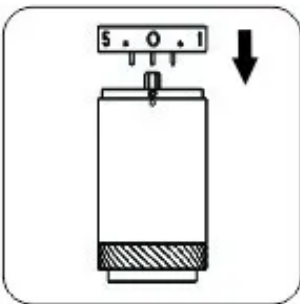
Calibration



1. Turn the adjustment dial ring counterclockwise all the way to the starting point where the resistance starts and see whether the indicator aligns with number 0 (#0).



2. Remove the adjustment dial ring if it is not aligned.



3. Align #0 with the indicator and put the adjustment dial back.

Foldable Handle (for X-Pro S)

Warning: The handle will not be covered by warranty if any part is taken apart.

How to fold?

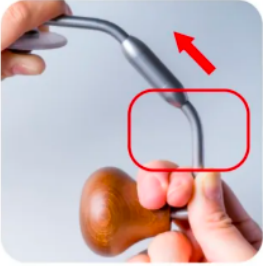


Hold the **crank part** near the **wooden knob** and push it in.



Turn the **handle** clockwise all the way to fold.

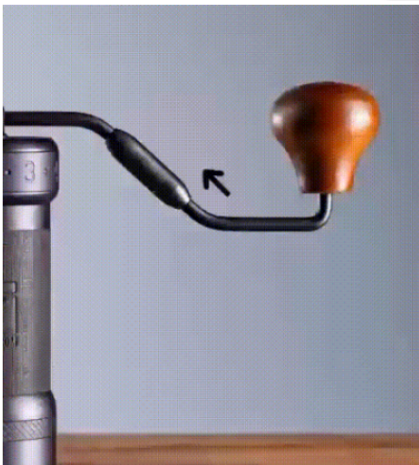
How to unfold?



Hold the **crank part** near the **wooden knob** and push it in.



Turn the **handle** counter-clockwise all the way to unfold.



Precautions

- Do not clean and wash the grinder with water.
- Do not wipe your grinder with solvents other than water and alcohol.
- Keep it in a dry environment in order to extend its lifetime.
- Follow the instructions of re-assembly, ensure to place the components into the correct positions.
- Keep the grinder away from children for safety concerns.

Warranty and how to use the product

Products are covered by the standard statutory warranty period. This warranty is non-transferable and financial compensation in cash is not possible. The warranty does not apply to products that have been used in a manner other than that specified in these instructions for use.

The warranty also does not cover:

- Damage resulting from improper use, neglect of care, or any other use for purposes not listed in this manual.
- Damage to appearance, damage caused by corrosion or gradual wear and tear.

Any intervention or repair by unauthorized persons results in the voiding of the product warranty.

Seller and importer: NajTrade s.r.o., Húskova 31, 04023 Košice, IČO: 50590502.

