



**WACACO**

# **Wacaco Minipresso GR**

Instructions for use

## Intended Use

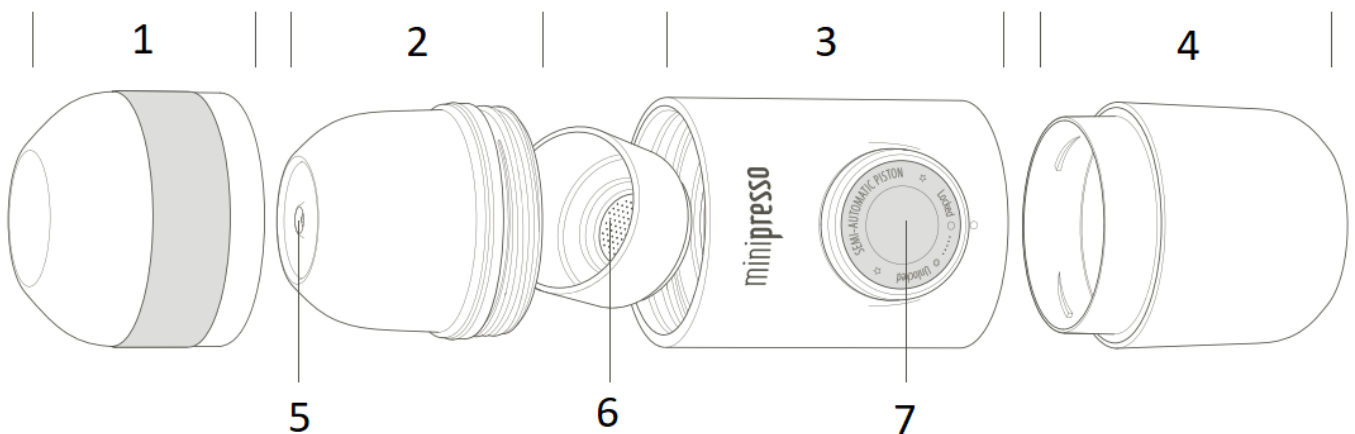
The Minipresso is intended to a personal use. It is not suitable for commercial, professional, collective or industrial use. Use of the Minipresso in any manner other than as directed herein could cause harm to persons and void the warranty. Wacaco Company Limited will not be responsible for injury or damage resulting from improper use of the Minipresso.

## WARNING!

Carefully read the following instructions before using your Minipresso machine. In this way you will avoid the risk of personal injury and damage to the appliance.

- Do not use the Minipresso for other than its intended use.
- After removing the packaging, make sure that the Minipresso is intact.
- The packaging elements (plastic bags, etc.) must not be left within reach of children as they are potential sources of danger.
- Do not allow the Minipresso to be used by children uninstructed persons. Children must be kept under supervision to prevent them from playing with the Minipresso.
- Do not action the piston if the water tank and the outlet head are not in position.
- Never consume liquid directly from the Minipresso as contents may be hot.
- Do not put Minipresso on a gas or electric hot plate, in an oven, a microwave or a dishwasher.
- Only use clean water in the Minipresso. Do not use any other fluid.
- Never heat up the water directly in the water tank. Water must be heated by an external heating source such as a kettle and then poured into the water tank.
- Clean the Minipresso carefully and regularly.
- Do not use any accessories not recommended by Wacaco Company Limited, as this may cause injury.
- Do not use the Minipresso if it is showing any sign of breakdown or malfunction.
- Do not attempt to dismantle or repair. Contact Wacaco Company Limited in case of malfunction.
- If you burn yourself, immediately pour cold water on burnt area and call a doctor if necessary.

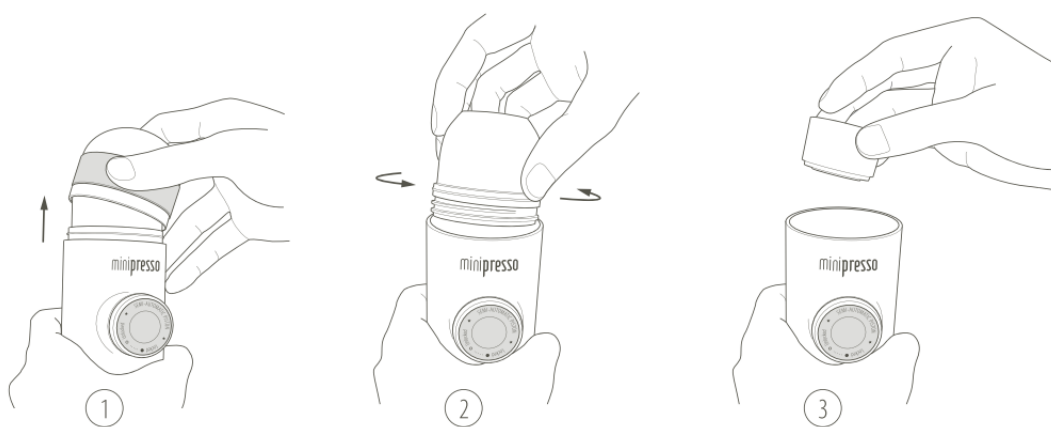
## Description



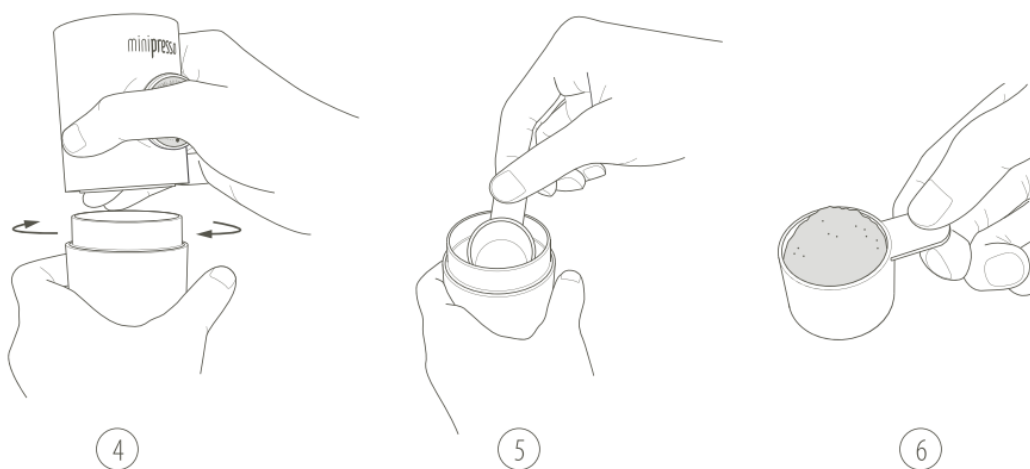
1. Espresso cup
2. Outlet head
3. Main body
4. Water tank
5. Spout
6. Filter basket
7. Piston

## Instructions

1. Unclip the cup.
2. Unscrew the outlet head.
3. Remove the filter basket.



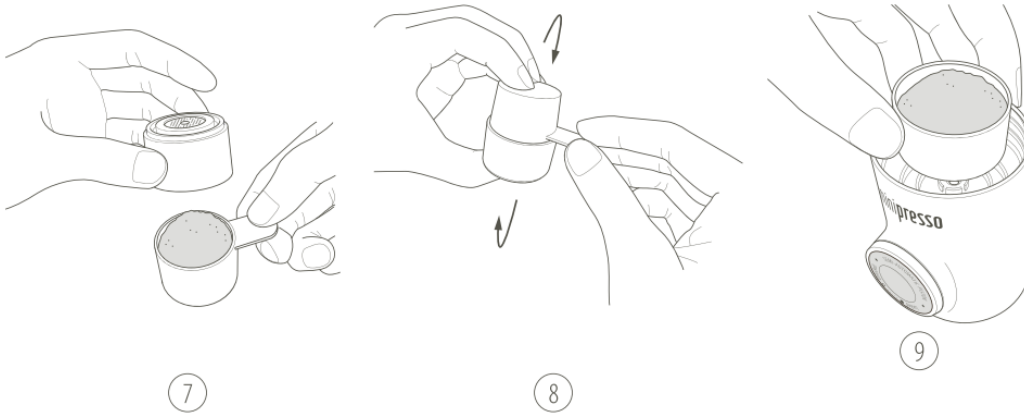
4. Unscrew the water tank.
5. Remove the scoop from the water tank.
6. Fill the scoop with ground coffee.



7. Position the filter basket on the top of the scoop.

8. Reverse to transfer all the powder into the filter basket.

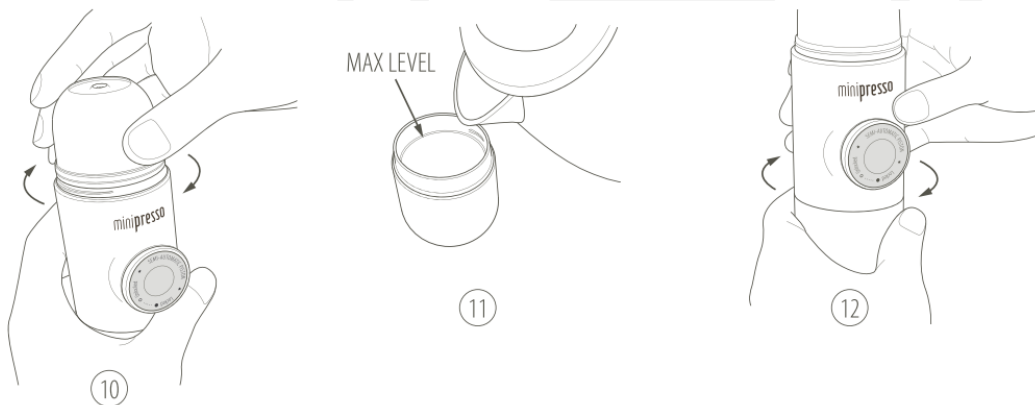
9. Put back the filter basket on top of the main body. Clean up if any coffee remain on the edge of the filter basket.



10. Screw tightly the outlet head into the main body until the stop.

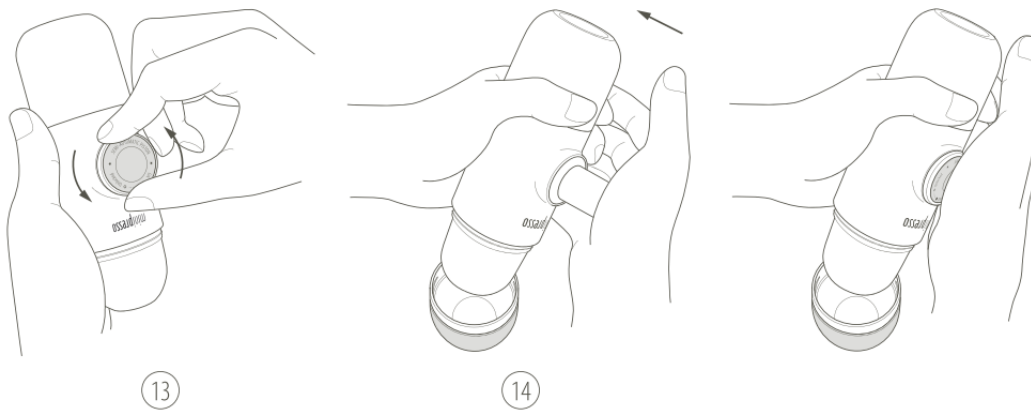
11. Add boiling water into the water tank. Stop pouring before reaching the step. Place water tank on level and stable surface in order to fill it.

12. Screw tightly the main body onto the water tank until the stop. Avoid burning yourself. Handle with care.



13. Unlock the piston from its travel position by rotating it to the left.

14. Bring the Minipresso above the cup and start pumping. The first 6 strokes will fill the filter basket of water. Continue pumping until no more coffee comes out.



## Note

For best results, we highly suggest you to:

- Use fresh roasted coffee beans and filtered water.
- Grind coffee beans just prior to prepare your espresso shot.
- Gently tamp the ground coffee into the filter basket with the back of the scoop.
- Preheat all Minipresso parts as well as the cup by running a cycle with only hot water.

## WARNING!

- Avoid burning yourself, handle hot water with care.
- Do not apply higher than usual force on the piston if this one is stuck. High pressure may cause damage.
- Do not fill to the rim the filter basket with tamped ground coffee.
- Only use one scoop of ground coffee (7 grams) to fill the filter basket.

## Cleaning



Clean the hatched areas under running water to remove all remain coffee. For all other areas, we highly recommend to only use a humid soft cloth when cleaning.

## WARNING!

- Do not put water into the orange area.
- Do not put any Minipresso parts into dishwasher.



## Safety Approval

Minipresso complies with major safety approvals regarding food contact materials.

## Environmental Protection

Packaging materials and appliance contain recyclable materials.

## Disposal

Minipresso has been manufactured using high quality materials that can be reused or recycled. Dispose of the appliance in a suitable waste collection centre.

## Warranty and how to use the product

Products are covered by the standard statutory warranty period. This warranty is non-transferable and financial compensation in cash is not possible. The warranty does not apply to products that have been used in a manner other than that specified in these instructions for use.

The warranty also does not cover:

- Damage resulting from improper use, neglect of care, or any other use for purposes not listed in this manual.
- Damage to appearance, damage caused by corrosion or gradual wear and tear.

Any intervention or repair by unauthorized persons results in the voiding of the product warranty.

**Seller and importer:** NajTrade s.r.o., Húskova 31, 04023 Košice, IČO: 50590502.

