



Flair Weigh Cup

Instructions for use

Product Specs

- Max Capacity: 500g
- Units: g / oz / ml
- Dimensions: 80 x 81 x 90mm
- Division: 0.05g / 0.1g
- Display: Digital LED
- Battery: Lithium Rechargeable
- Cup Material: Stainless Steel

Video Tutorials

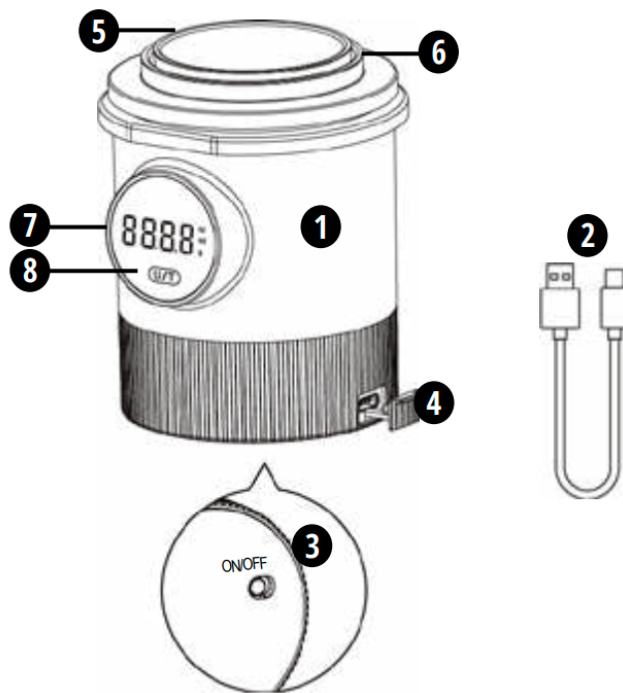


Warnings

1. When the display shows 'ERR'. The cup is overweight.
2. When the display shows 'UNST'. The cup isn't level.
3. When the display shows 'LO'. The cup battery is low.
4. The Weigh Cup is not waterproof. Keep dry and do not wash.
5. The Weigh Cup is not shock proof and can be broken if dropped.

What's Included & Components

1. Weigh Cup Body
2. Type-C USB Cable for Charging
3. On/Off Power Switch
4. Type-C Charging Port
5. Ceramic Dosing Cup
6. Removable Stainless Steel Cup
7. Scale Display with Units
8. Options Control Button
9. Weigh Cup Manual (not pictured)



Using Your Weigh Cup

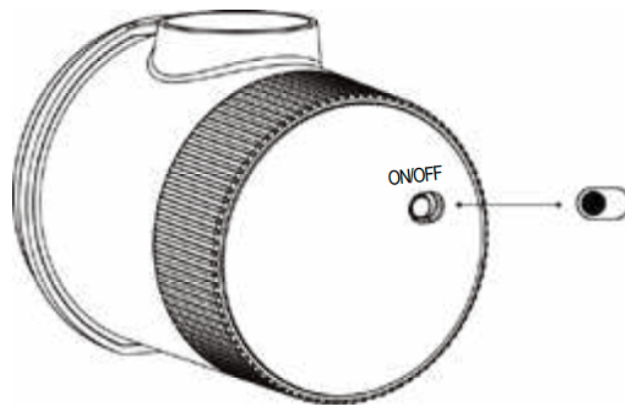
Display Area

(Controlled by Options Control button U/T when power switch is ON)



- Press and hold U/T to turn display ON/OFF
- Double-tap U/T to turn ON/OFF buzzer
- When display shows '0.00' click U/T to change units
- When display shows any weight, click U/T to tare/zero
- Display will auto-off after default 120 seconds
- Change auto-off at startup when display reads '8.8.8.8'

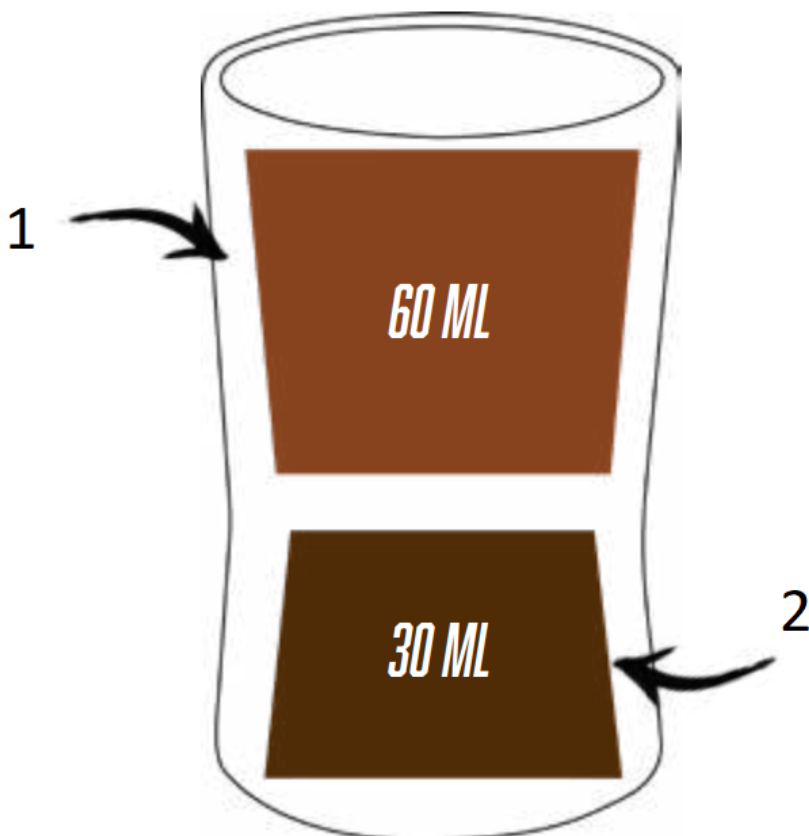
- Use ON/OFF Switch to cut power
- ON/OFF Switch does NOT need to be ON for charging
- To ensure correct charging, connect to a computer USB (requires 5v 1a power source)



Ceramic Dosing Cup

Your Weigh Cup comes with a Ceramic Dosing Cup. Use for dosing beans or as a cup for brewing and drinking your espresso. There are two sides:

1. The large opening will hold roughly 60ml of liquid, or volumetric double shot!
2. The small opening will hold roughly 30ml of liquid, or a volumetric single shot!



Warranty and how to use the product

Products are covered by the standard statutory warranty period. This warranty is non-transferable and financial compensation in cash is not possible. The warranty does not apply to products that have been used in a manner other than that specified in these instructions for use.

The warranty also does not cover:

- Damage resulting from improper use, neglect of care, or any other use for purposes not listed in this manual.
- Damage to appearance, damage caused by corrosion or gradual wear and tear.

Any intervention or repair by unauthorized persons results in the voiding of the product warranty.

Seller and importer: NajTrade s.r.o., Húskova 31, 04023 Košice, IČO: 50590502.

