

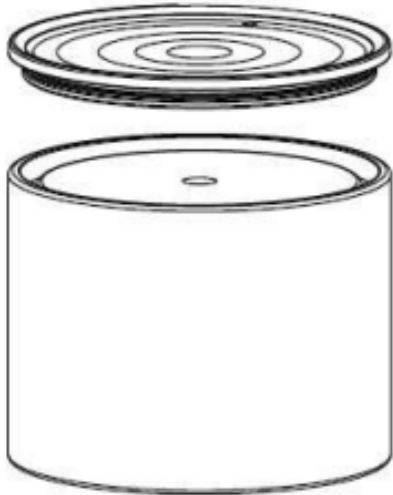


Cafflano Klassic

Instructions for use

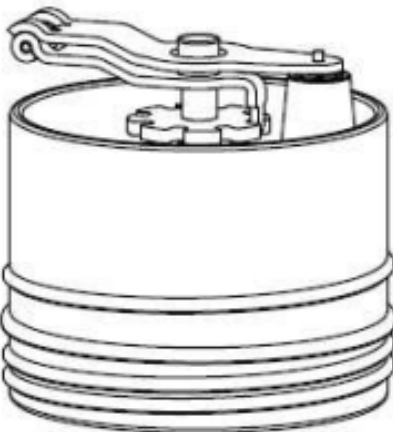
Congratulations!!! You can now enjoy the freshest and the tastiest coffee of your own with Cafflano Klassic.

Product composition and characteristics



Drip Kettle & Cover (Raw Material : polypropylene)

Cafflano(R) Klassic's cap has a uniquely designed diamond-shaped spout and it is used as a 'drip kettle' while brewing. For convenient measurement, it is materialized to store 270ml if water is filled up to just below the spout hole. With full capacity, you can brew coffee enough to serve for 2 people. Detachable cover can be used as a tumbler lid.



Hand-mill Grinder (Raw Material : ceramic, stainless steel and polypropylene)

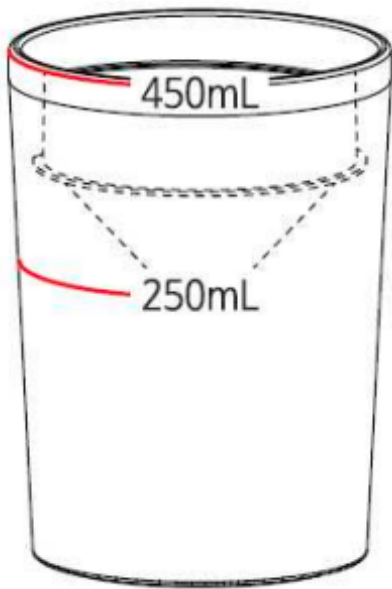
Ceramic burr-type hand-mill grinder guarantees consistent and durable performances, rust-free, and free of metallic odor. You can grind up to 30g of whole beans at a time, and weigh right amount with imprinted scales (10/15/20/25g). Its unique anti-bouncing design minimizes chances of beans bounced out of the grinder while grinding.

Stainless steel Handle is foldable for usability and portability. Depends on user's own taste, adjusting the coffee grind can be easily done by turning the Adjusting Wheel to the desired grind level.



Stainless Filter Dripper (Raw Material : stainless steel and polypropylene)

Eco-friendly and permanent stainless steel is used for the filter. It is convenient when cleaning, keeping and brewing coffee. The Dripper has air vent that ensures smooth water and air flow while brewing, which results in the best taste coffee.

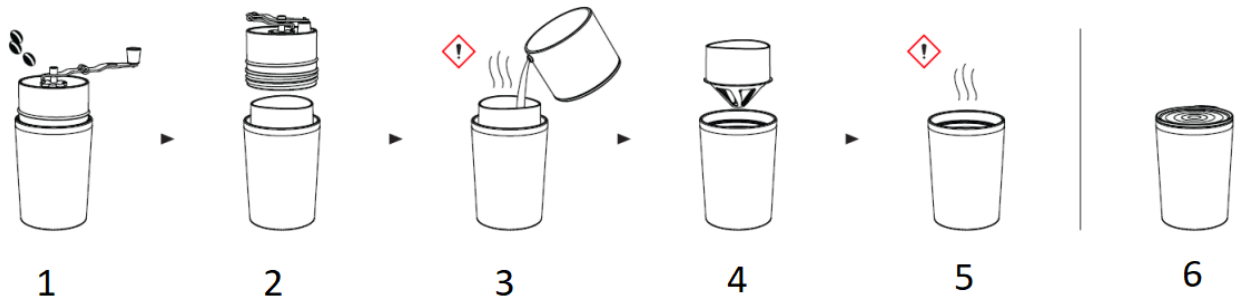


Tumbler (Raw Material : stainless steel, polypropylene and silicon)

Its stainless steel material makes it easy to clean, store and use. It can store up to 250ml from bottom to the bottom of the Filter Dripper. The whole tumbler can store up to maximum 450ml. Silicon pad is attached to the bottom of the tumbler to prevent slipping.

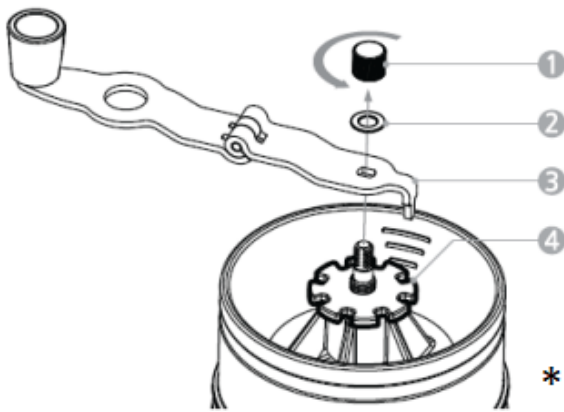
How To Use

Please visit our website at www.cafflano.com for detail product information and demo clips.



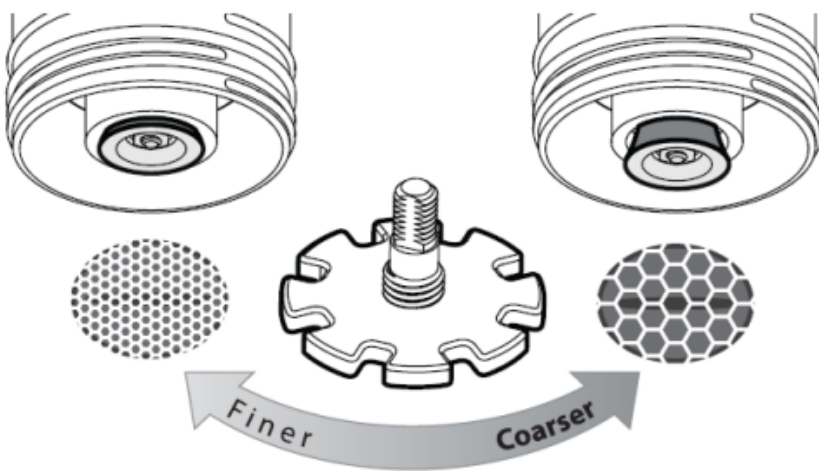
1. Put 15-20g of whole beans into the hand-mill grinder and start grinding slowly
2. Remove the hand-mill grinder
3. Start brewing with the drip kettle
4. Remove the filter dripper
5. Enjoy the fresh and tasty coffee
6. Use the cover as a tumbler lid

Adjusting the Coffee Grind



1. Turn the Locker (locking screw) counterclockwise and remove it.
2. Take out Washer.
3. Remove foldaway Handle.
4. Turn Adjusting wheel to fine-tune grind size.

* Be cautious not to lose Locker/Washer.



Caution!

- Please clean and wash the product first. After washing it, let it dry completely before use. (use a soft sponge and neutral detergent, and then thoroughly rinse it)
- Do not expose to direct heat/flames to prevent deformation or discoloration.
- Do not heat, boil or use it for cooking.
- Please be cautious not to hurt your hand while grinding.
- Do not freely spin the Handle or turn it in reverse to prevent damaging the burr.
- Do not let children use this product. Do not use next to infant or children and keep out of their reach.
- Do not use the product for anything other than its original purpose of use. (Do not grind foreign substances other than whole beans)
- Tilting the product to one side may cause content spilled.
- Always be cautious when consuming hot water/drinks. Hot liquids can scald user.
- Keeping substances for long may result in discoloration of the product.

Cleaning and Keeping

- Remove coffee grounds and clean the filter dripper with running water. Coffee grounds could be used as culture soil and fertilizer
- The product can be disassembled and cleaned. Use soft cloth or sponge with neutral detergent.
- Do not clean with steel wool or apply bleach or cleaners containing chlorine on any parts of the product.
- Using bleach or cleaners containing chlorine may result in discoloration of the product.
- Allow to dry completely to prevent water spots or patches of rust on stainless parts of the product.
- Clean and keep it dry right after use can prevent odor and discoloration, leading to longer term of use.
- Do not place the product in dishwasher, dish drier, any type of oven or microwave.
- In case of patch of rust, water spots, odor or discoloration, put watered-down vinegar in the product for some time, take it out and clean with soft cloth or sponge. You can also use baking soda or exclusive detergent for stainless product.
- Drink. Wash. Drink. Wash. Drink. Wash. Then, you can use it like a brand new one for a long time.

Warranty and how to use the product

Products are covered by the standard statutory warranty period. This warranty is non-transferable and financial compensation in cash is not possible. The warranty does not apply to products that have been used in a manner other than that specified in these instructions for use.

The warranty also does not cover:

- Damage resulting from improper use, neglect of care, or any other use for purposes not listed in this manual.
- Damage to appearance, damage caused by corrosion or gradual wear and tear.

Any intervention or repair by unauthorized persons results in the voiding of the product warranty.

Seller and importer: NajTrade s.r.o., Húskova 31, 04023 Košice, IČO: 50590502.