

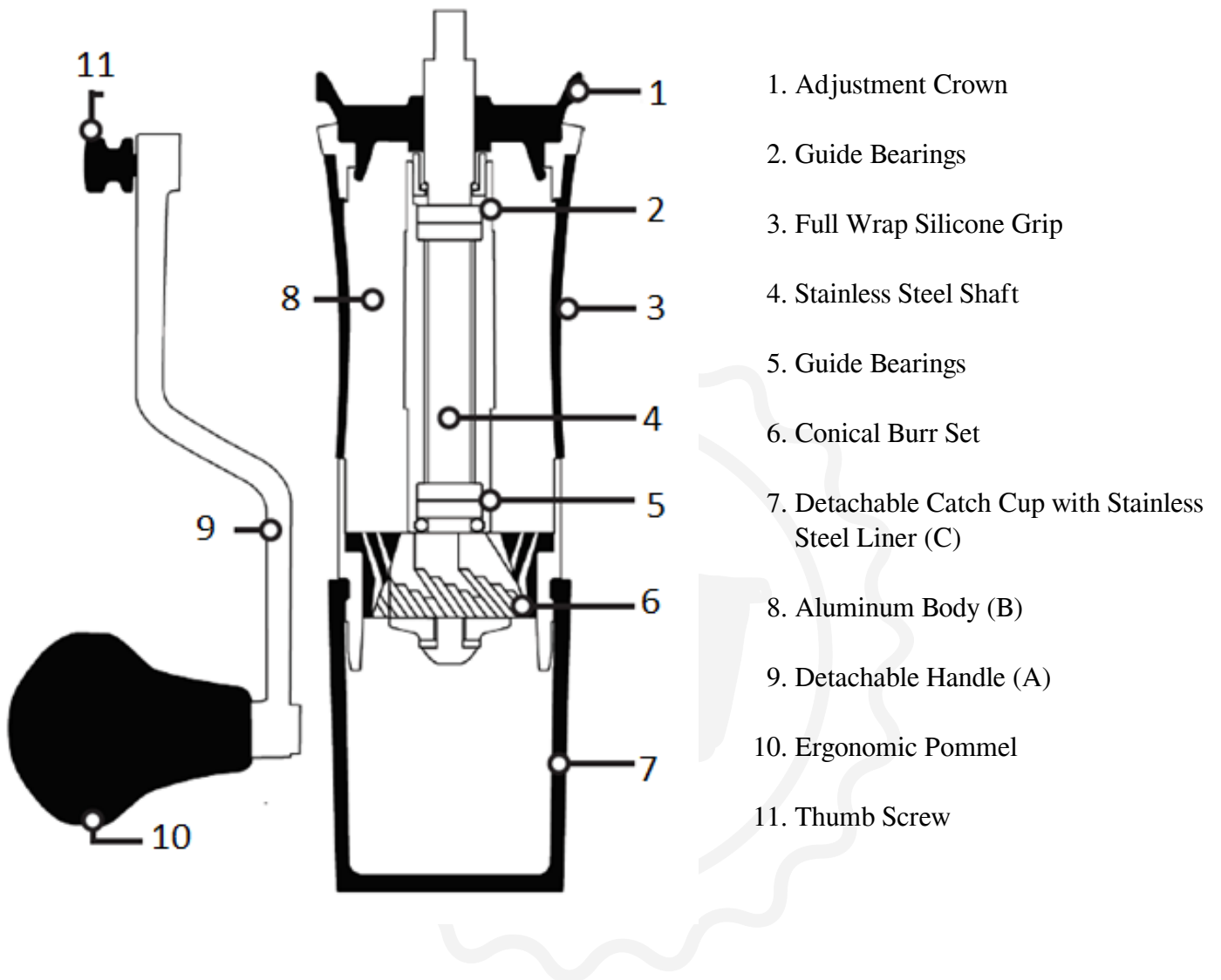


Royal Grinder

Instructions for use

Product Description

The grinder consists of three main parts: (A) removable aluminum handle, (B) milled aluminum body, (C) removable collection container

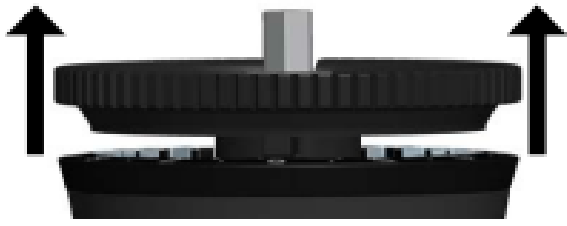


Adjusting Your Grind

Lift, Turn & Lock Adjustment Crown

Maximum Dose: 32 grams

Minimum Grind Adjustment: .02mm



1. Lift crown up until you “feel” a click and it is fully disengaged from the base.

2. Turn crown to adjust grind size. +Clockwise (increasing numbers) increases grind size.
-Counter - Clockwise (decreasing numbers) Decreases grind size.

3. Lock grind adjustment by pushing crown down until it clicks into base.



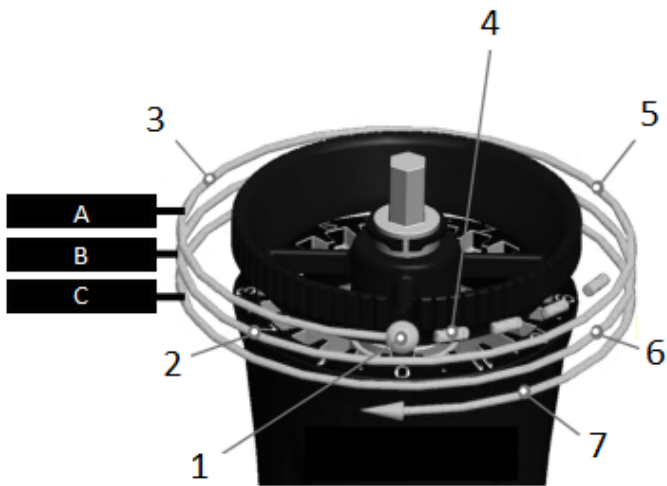
Dialing-In Your Grind

Three full rotations & 72 individual adjustments

1st Rotation – Zero to 12 (24 settings)

2nd Rotation – 12.5 to 24 (24 settings)

3rd Rotation – 24.5 to 36 (24 settings)



1. Absolute ZERO (Finest Possible Grind)
2. Aeropress (med. fine)
3. Commercial Espresso (extra fine)
4. Never Turn Below Absolute ZERO!
5. Flair Espresso (fine)
6. Pour Over (med. coarse)
7. French Press (coarse)

NOTE: Grind settings will vary based on brew method, desired dose, bean type and roast. Dial-in to your preferred taste.

Warranty and how to use the product

Products are covered by the standard statutory warranty period. This warranty is non-transferable and financial compensation in cash is not possible. The warranty does not apply to products that have been used in a manner other than that specified in these instructions for use.

The warranty also does not cover:

- Damage resulting from improper use, neglect of care, or any other use for purposes not listed in this manual.
- Damage to appearance, damage caused by corrosion or gradual wear and tear.

Any intervention or repair by unauthorized persons results in the voiding of the product warranty.

Seller and importer: NajTrade s.r.o., Húskova 31, 04023 Košice, IČO: 50590502.