

STARESSO

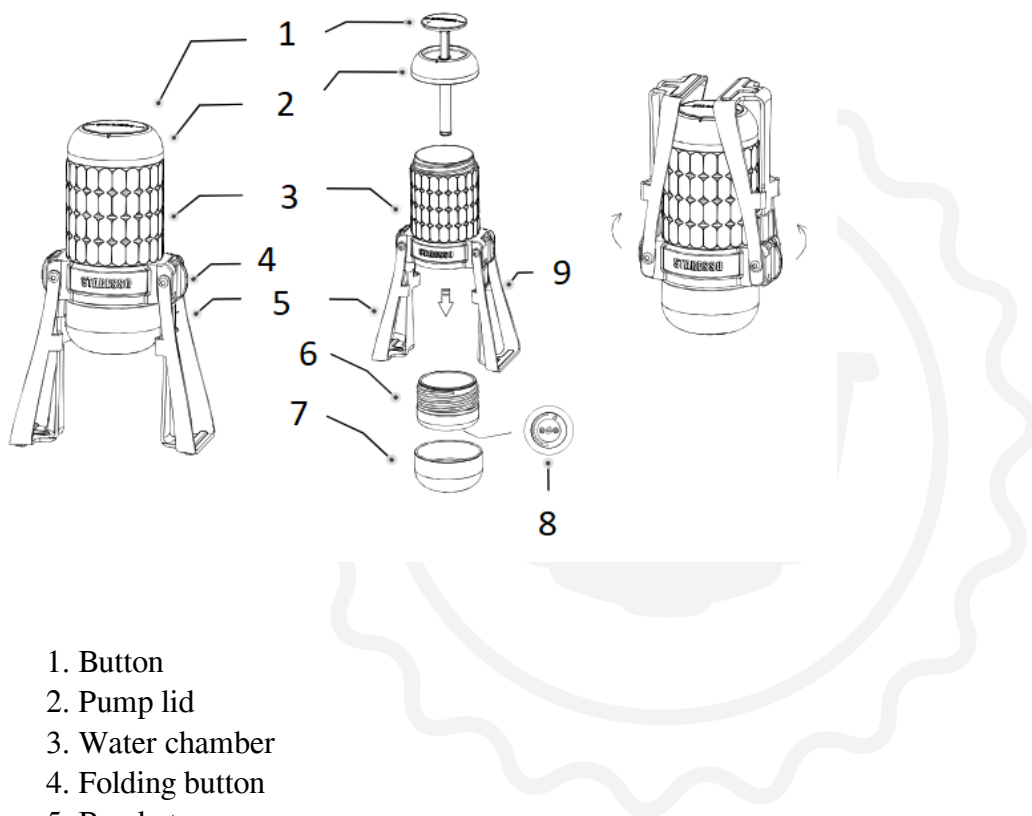
Starezzo Mirage

Instructions for use

Read before use!

- Please read this manual carefully before use and retain for future reference.
- Keep out of reach of children.
- Clean each part with hot water before first use. Be aware of hot water while cleaning & using your Mirage.
- Please make sure the leg brackets are set to the lowered position and your Mirage is placed on a stable, non-slip surface prior to use.
- Do pull down the folding button before fold your mirage bracket.

Parts list

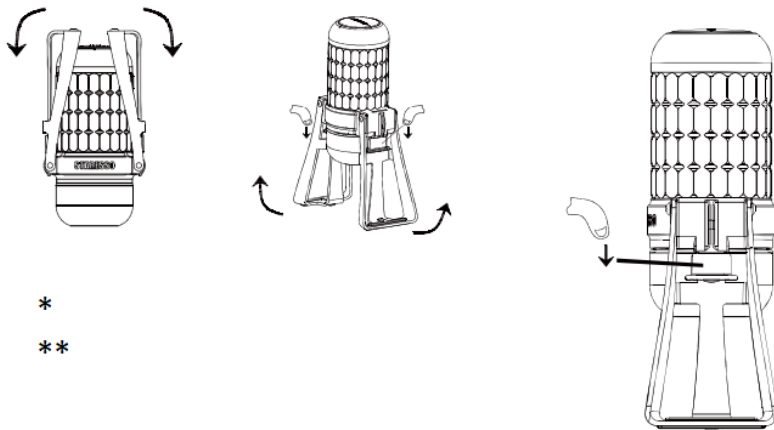


1. Button
2. Pump lid
3. Water chamber
4. Folding button
5. Bracket
6. Bottom cap
7. Serving cup
8. Pressure valve
9. Bracket

Specifications:

- Water chamber capacity: 180ml
- Ground coffee capacity: 18-22g
- Working pressure: 15-20 bar

How to set & fold the leg brackets



*
**

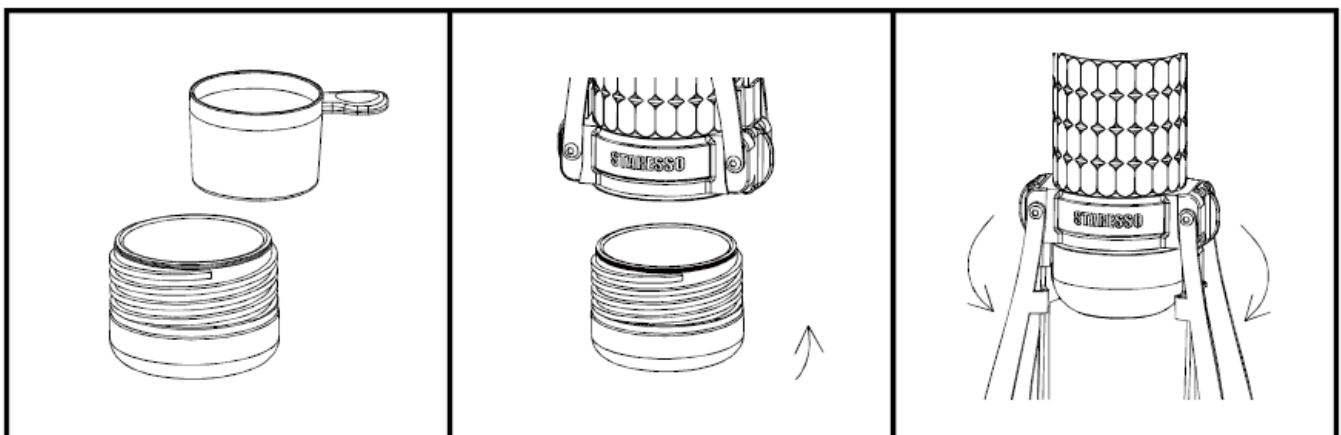
* To stand your Mirage: Pull down the two brackets from the up position until they are in the down position and you hear the locking sound. Ensure you place your Mirage on a non slip surface.

** To store: Pull down the movable switch to release the two brackets and then simply fold them up.

Using your Mirage

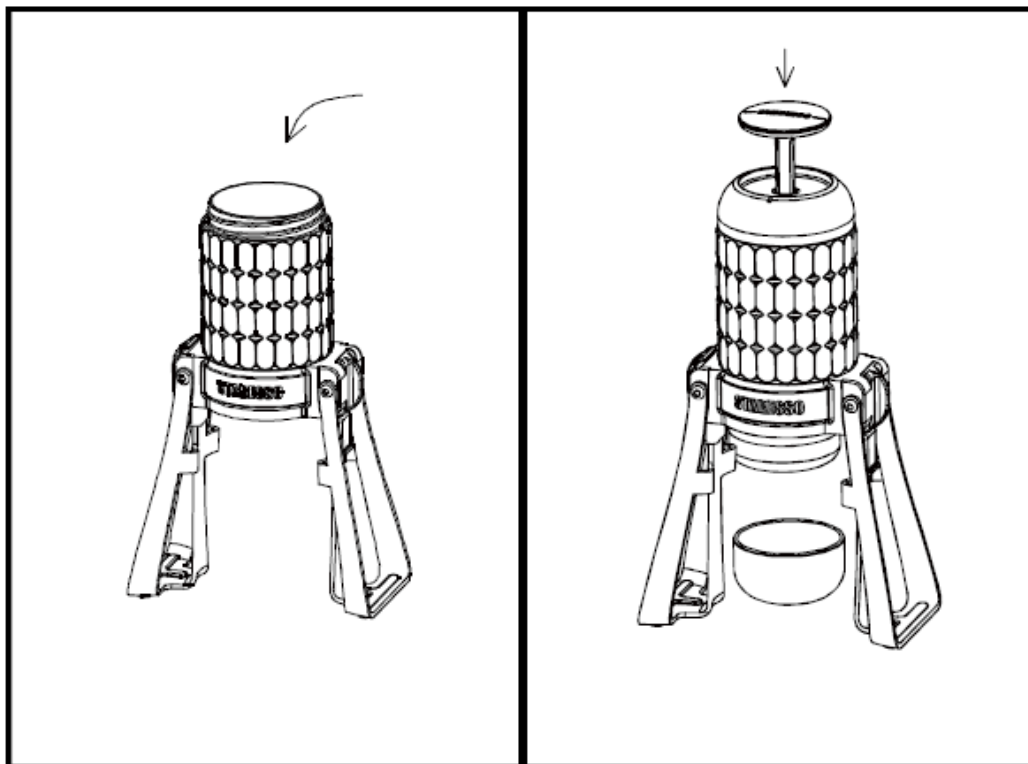
Step 1: Set Up

- Unscrew the bottom cap and fill the basket with 18-22g of fine ground coffee. (do reduce the tea leaves to a half scale when makes latte.)
- Screw the bottom cap tightly back onto water chamber to prevent any leakage.
- Remove the serving cup and place directly below the Mirage (you can use the cup provided or any cup that will fit.).
- The pressure valve is generally set to the right place before pumping. If you believe the working pressure is too low or too high, you can adjust it by turning accordingly.



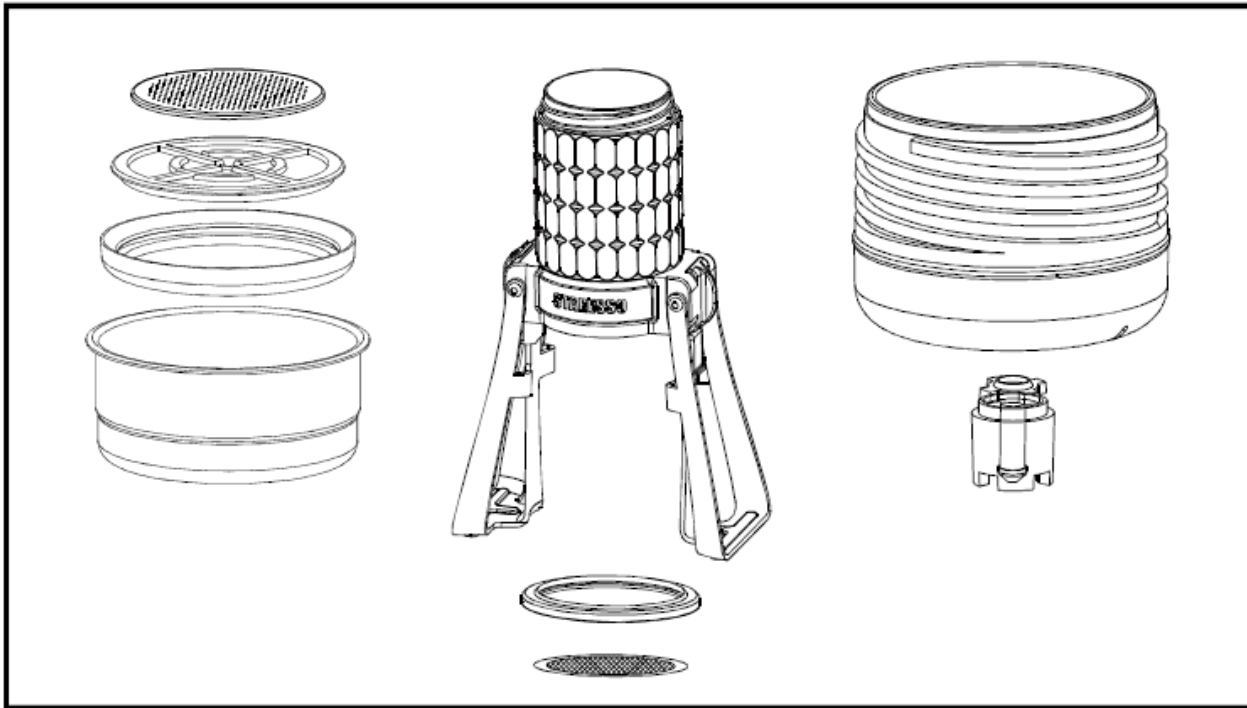
Step 2: Making Coffee

- Fill the water chamber with 120-180ml of hot water.
- Turn & release the pump lid and begin pumping. To get the best extraction result try and pump every two seconds. You will feel the pressure begin to decrease when the water is all used, at this stage discontinue pumping. Your coffee is now ready... Enjoy!
- Do pull the folding button before fold your Mirage bracket.



Step 3: Cleaning

- Ensure you have pumped through all water so that none remains in the tank and the pressure is reduced. Open the pump lid and tip out any remaining water. Unscrew the bottom cap slowly. If you have just made coffee, the coffee basket and spent grounds may still be hot.
- Remove spent coffee grounds.
- If cleaning of the filter basket or pump section is required, ensure your Mirage is reassembled correctly. The filter basket and pump section can be cleaned with water and then dried prior to reassembly.
- After reassembly dry the outside of your Mirage and fold up the legs.



Important notes

- The pump button uses a press, twist to lock and unlock.
- Ensure you screw the pump lid & bottom cap tightly before use otherwise your Mirage may not work correctly.
- Always clean & dry your Mirage as indicated before storing.
- The water chamber is designed only for clean water. No other liquids or foreign objects should be placed in the chamber as this may cause the pump injection hole to be blocked. If the pump does inject any particles such as coffee grounds, disassemble the upper section, clean out the water chamber dip the pump in water and plunge rapidly to get rid of the blockage.

Warranty and how to use the product

Products are covered by the standard statutory warranty period. This warranty is non-transferable and financial compensation in cash is not possible. The warranty does not apply to products that have been used in a manner other than that specified in these instructions for use.

The warranty also does not cover:

- Damage resulting from improper use, neglect of care, or any other use for purposes not listed in this manual.
- Damage to appearance, damage caused by corrosion or gradual wear and tear.

Any intervention or repair by unauthorized persons results in the voiding of the product warranty.

Seller and importer: NajTrade s.r.o., Húskova 31, 04023 Košice, IČO: 50590502.